

**SCREEN IDENTIFICATION
(BAR FLANGE AND DOUBLE FLANGE)**



Industrial Machine Knives

Zenith Parkway • Loves Park, IL 61111

Tel: 855.499.3510 • Fax: 855.499.3511 • www.knife-xpress.com

QUOTE NUMBER: _____

MACHINE NAME: _____

MACHINE MODEL: _____

OEM# (if available): _____

1.) Note any part numbers or markings on the screen:

2.) Bar or Double flange option: _____

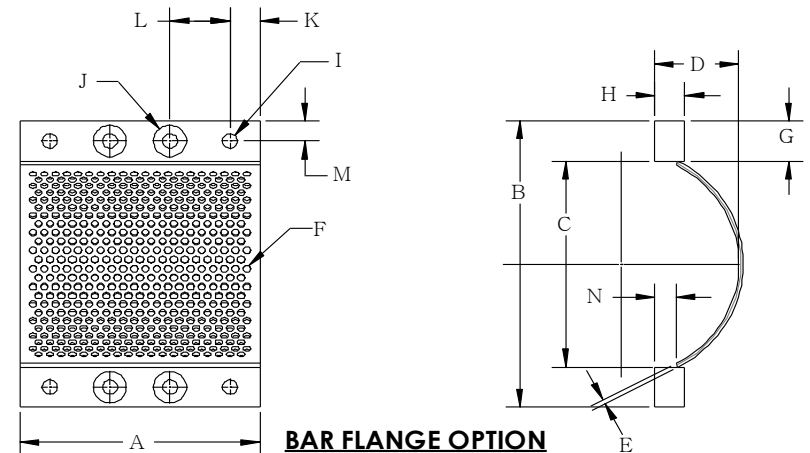
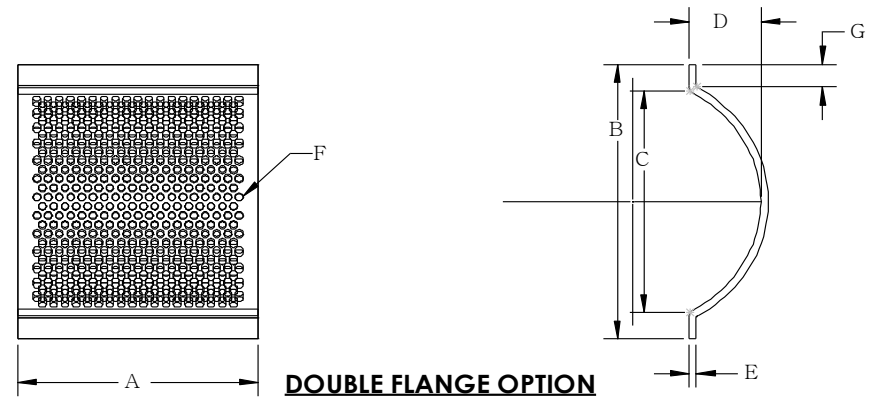
Please complete the following information:

- A. Length: _____
- B. Overall width: _____
- C. Inside width: _____
- D. Depth of radius (Inside): _____
- E. Thickness: _____
- F. Hole size: _____
- G. Width of flange: _____

3.) Please complete bar flange information (if applies);

- H. Thickness of flange: _____
- I. Hole size on bar flange: _____
- J. Counterbore hole size: _____
- K. Edge to first hole: _____
- L. Center to center of holes: _____
- M. Side to first hole: _____
- N. Screen location (To top of bar): _____

4) Note any special features (ie. brackets, plates, welding):



How to use this form:

Please fill out this form to help us identify your screen. Once completed, please send this to contact@knifexpress.com or your xpress agent.